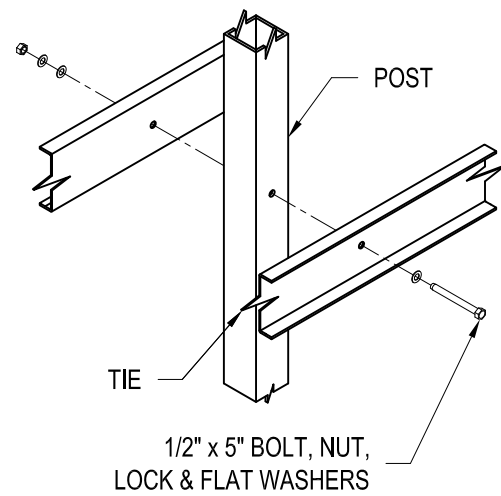
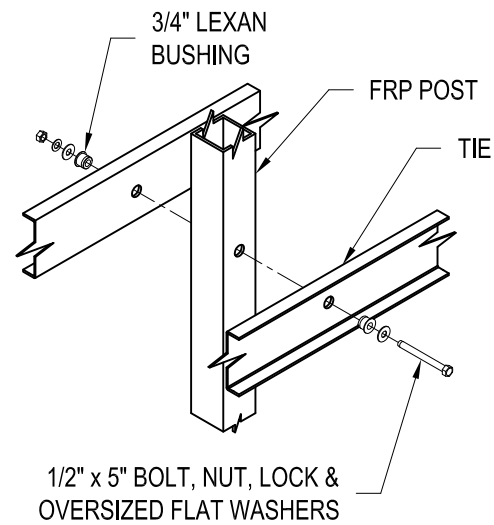


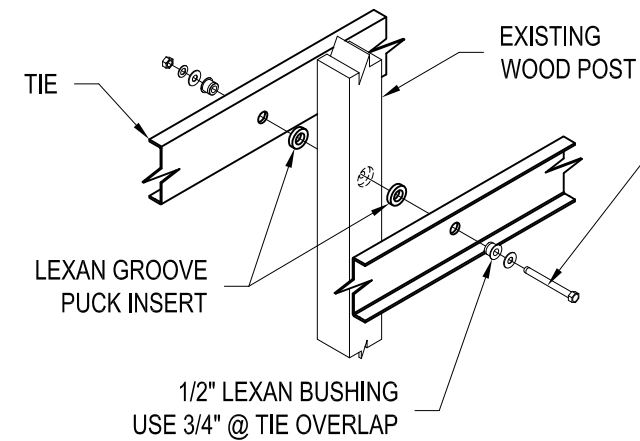
DETAIL A
@ EXISTING WOOD POST



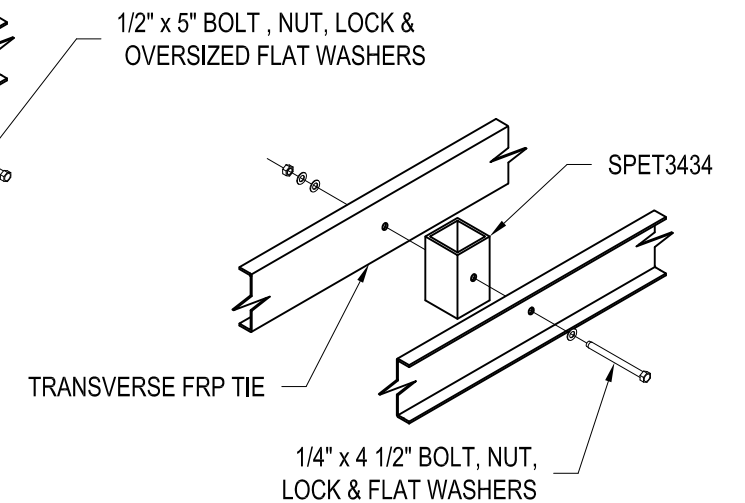
DETAIL A
@ FRP TIES
REFERENCE TIE CUT DETAIL @ LOUVER POSTS



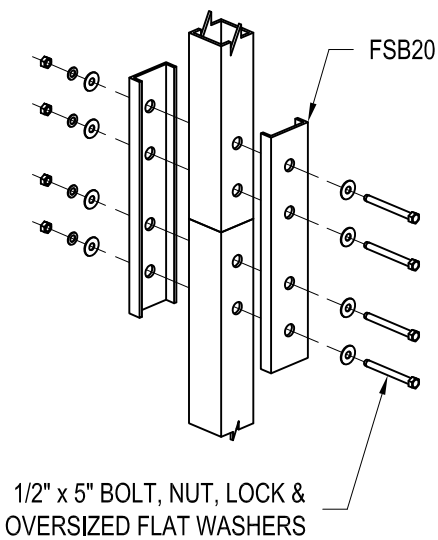
DETAIL B



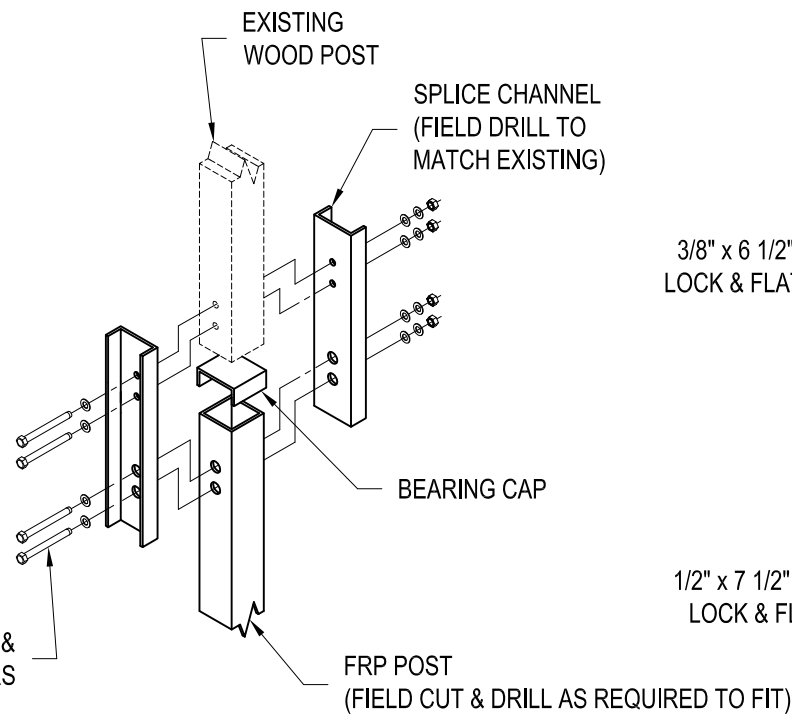
DETAIL C



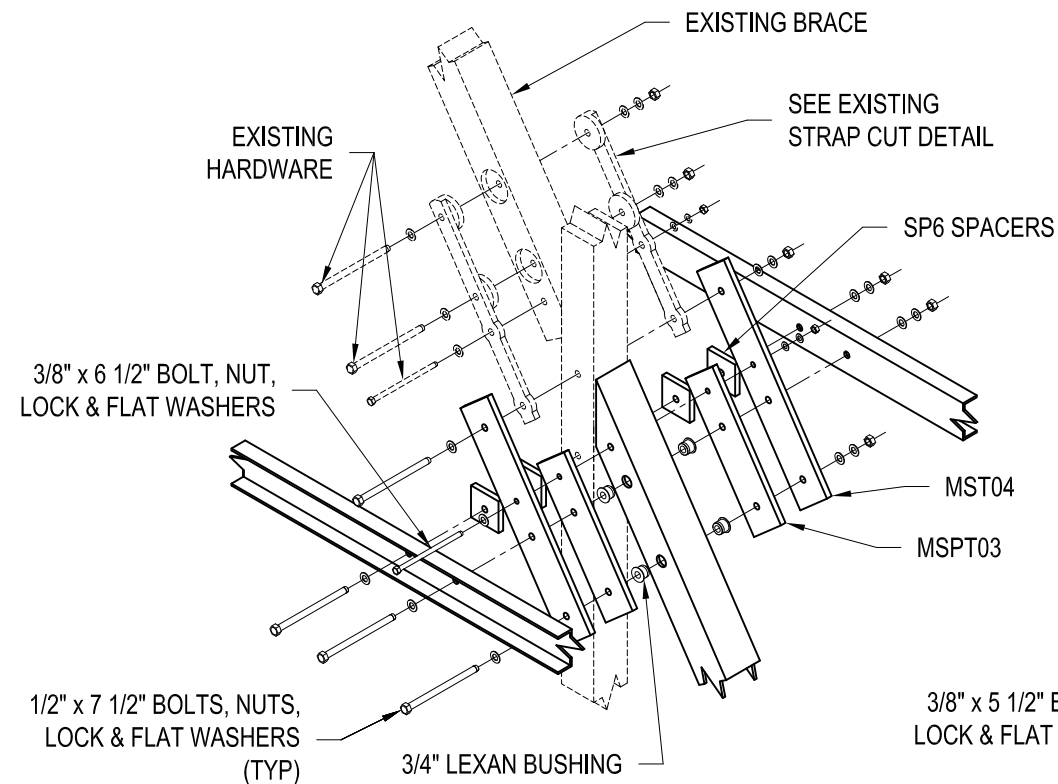
DETAIL D



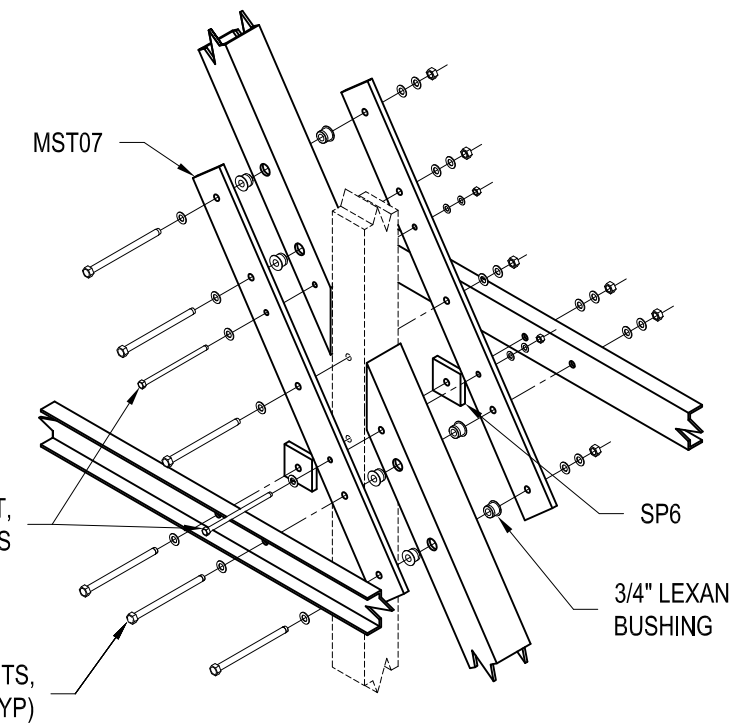
DETAIL E



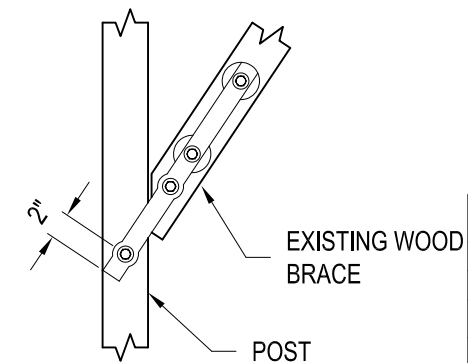
DETAIL F



DETAIL G

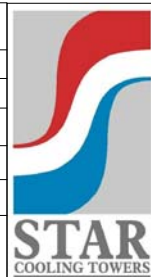


DETAIL H



EXISTING STRAP CUT DETAIL

REVISIONS				
DATE	DESCRIPTION	BY	CHECK	
9-29-2015	INITIAL ISSUE			



STAR COOLING TOWERS LP

9007 FM 2759 RICHMOND, TX 77469 PH. 713 645-3323 FAX 713 645-3029
 1000 W. MCNAB RD, SUITE 236 POMPANO BEACH, FL 33062 PH. 954 532-0177 FAX 954 532-0351

PROJECT:		
LOCATION:		
DRAWING TITLE: TYP. JOINT DETAILS		
PROJECT NO.	DRAWN BY: OTV	CHECKED BY: TTH
DWG. # B120	Scale: NONE	SHEET: 1 OF 1