

# Q.C.O. Nozzles

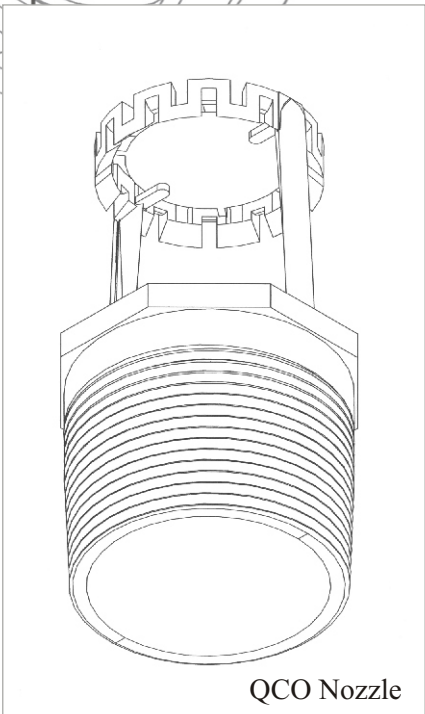
## Your Single Source for Cooling Tower Components!

Since the 1960's, C. E. Shepherd Company has offered an outstanding line of high quality cooling tower components. Shepherd components resist corrosion from extended exposure to water and hostile environmental conditions better than any competitive products. Engineered for retrofit or new construction, Shepherd Cooling Tower Components are easy to install and reduce overall labor costs.

A single source for prompt delivery from stock streamlines purchasing, reduces costs and ensures a fully integrated system thus assuring the same high degree of quality cooling tower professionals have come to expect from C. E. Shepherd Company.



QCO Nozzles



QCO Nozzle

### Counter Flow QCO Nozzle

In a counter flow tower, cooling is achieved by distributing hot water through a system of pipes and plastic splash nozzle assemblies over the entire plan area of each cell. As the water splashes over the fill material and flows down, heat energy is dissipated into the air traveling upward.

Shepherd QCO (Quick Change Orifice) Nozzles offer a uniquely designed diffusion plate which provides the uniform water dispersion in all directions necessary to achieve the best results in a counter flow tower design. This even flow prevents streaming as the water exits the nozzle and ensure sufficient contact with fill media. The 1.5" NPT nozzles feature a large diameter opening to preclude the build-up of silt and to allow the passage of cleaning balls. Combining both economy and quality, the Shepherd QCO Nozzle is a superior performer!

Revision: 12/09/02

