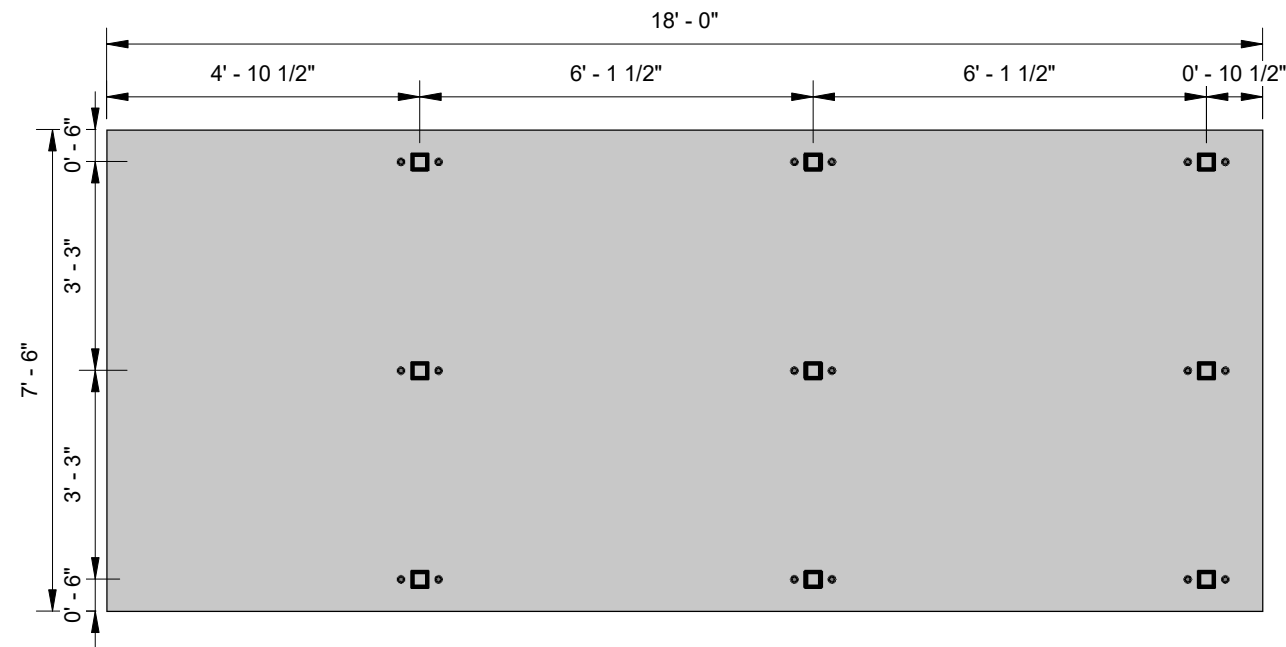
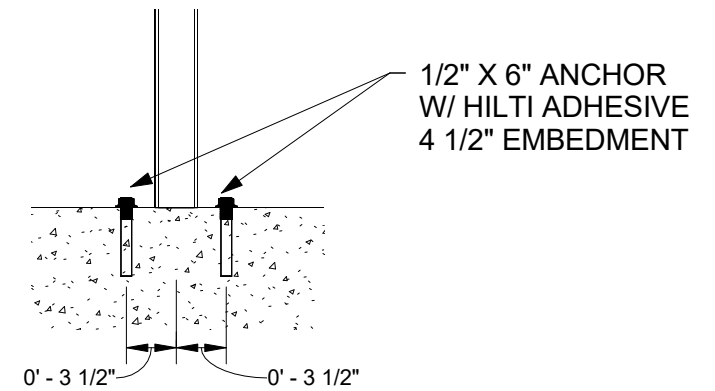


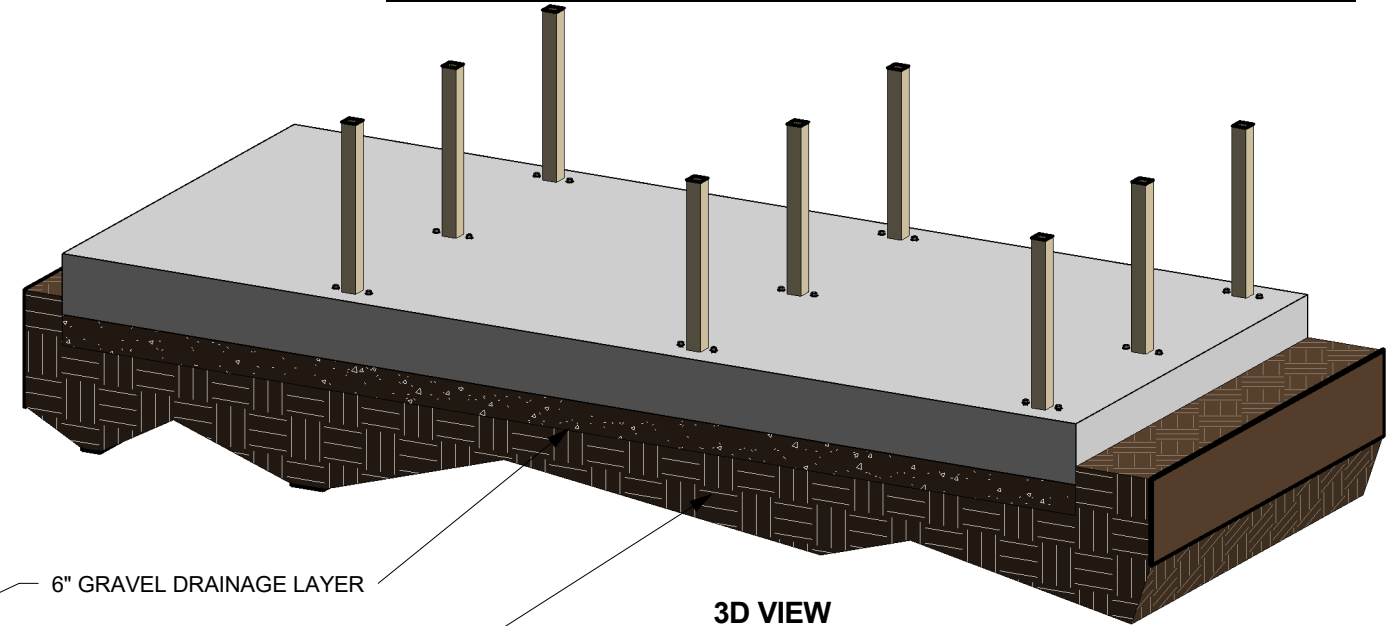
# STAIRPAD LAYOUT



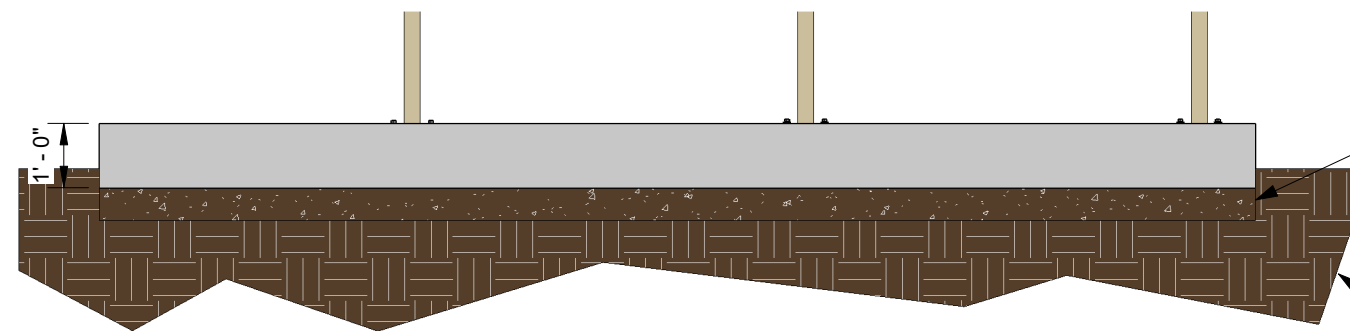
PLAN VIEW



## ANCHOR BRACKET INSTALLATION



3D VIEW



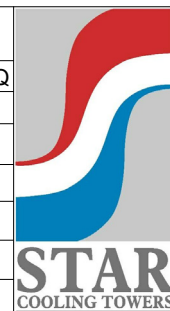
ELEVATION VIEW

6" GRAVEL DRAINAGE LAYER

COMPACTED SOIL

### REVISIONS

| DATE | LTR | FREQ | DESCRIPTION | BY | CHECK | FREQ |
|------|-----|------|-------------|----|-------|------|
|      |     |      |             |    |       |      |
|      |     |      |             |    |       |      |
|      |     |      |             |    |       |      |
|      |     |      |             |    |       |      |



## STAR COOLING TOWERS LP

9007 FM 2759  
RICHMOND, TX 77469  
PH. 713 645-3323  
FAX 713 645-3029

1000 W. MCNAB RD, SUITE 236  
POMPANO BEACH, FL 33062  
PH. 954 532-0177  
FAX 954 532-0351

PROJECT  
LYONDELL REFINING STAIRPAD

LOCATION: HOUSTON, TX

LYONDELL REFINING

PROJECT NO.  
R-10473

DRAWN BY  
SM

CHECKED BY  
BR

Scale As indicated

SHEET 1